

와이어 호이스트

(WIRE HOIST)

- 전기종 유럽인증 CE 획득
- 전기종 북미인증 CSA 획득





Best No.1 Korea Gorbel Cranes

CONTENTS

Cross-Sectional View	4
Type of Hoist	5
Regular Type Suspension Hoist	6
Regular Type Hoist with Hand-Push Trolley	9
Regular Type Hoist with Geared Trolley	10
Regular Type Hoist with Motor-Driven Trolley	11
Double-Rail Type Hoist with Motor-Driven Trolley	13
Low-Head Type Hoist with Motor-Driven Trolley	16
Double Low-Head Type Hoist with Motor-Driven Trolley	17
Creep Hoist	18
Regular Type Creep Hoist with Motor-Driven Trolley	19
Low-Head Type Creep Hoist with Motor-Driven Trolley	21
Double Low-Head Type Creep Hoist with Motor-Driven Trolley	22
Double-Rail Type Creep Hoist with Motor-Driven Trolley	23
Double-Rail Type Main & Aux Hoist	25
Double-Rail Type Creep Main & Aux Hoist	28
Crane Components	31
• Geared Motor	
• Saddle	
• Wheel Unit	
• Load Limiter	
• Push Button Switch	
• Soft Starter	
• Electric Component	
Remote Controller	37
Ordering Informations of Hoist	39



BIC,  는 반도중공업주식회사의 등록상표입니다.

호이스트의 사용예 (Example of using Hoist)



Suspension Crane



Hoist Crane(Single Girder)



Free Standing Work Station Bridge Crane



Ceiling Mounted Bridge Cranes & Monorails



Hoist Crane(Double Girder)



Semi Gantry Crane

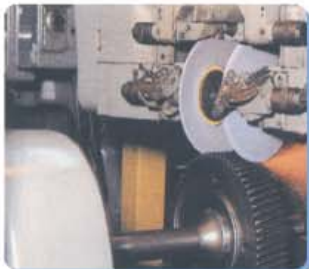


Gantry Crane



Jib Crane

Major Facilities



Reishauer Gear Grinder



Hofler Gear Grinder



Hypoid Gear Grinder



Gear Shaper



Universal Gear Tester



CNC Gear Tester



M&M Gear Tester



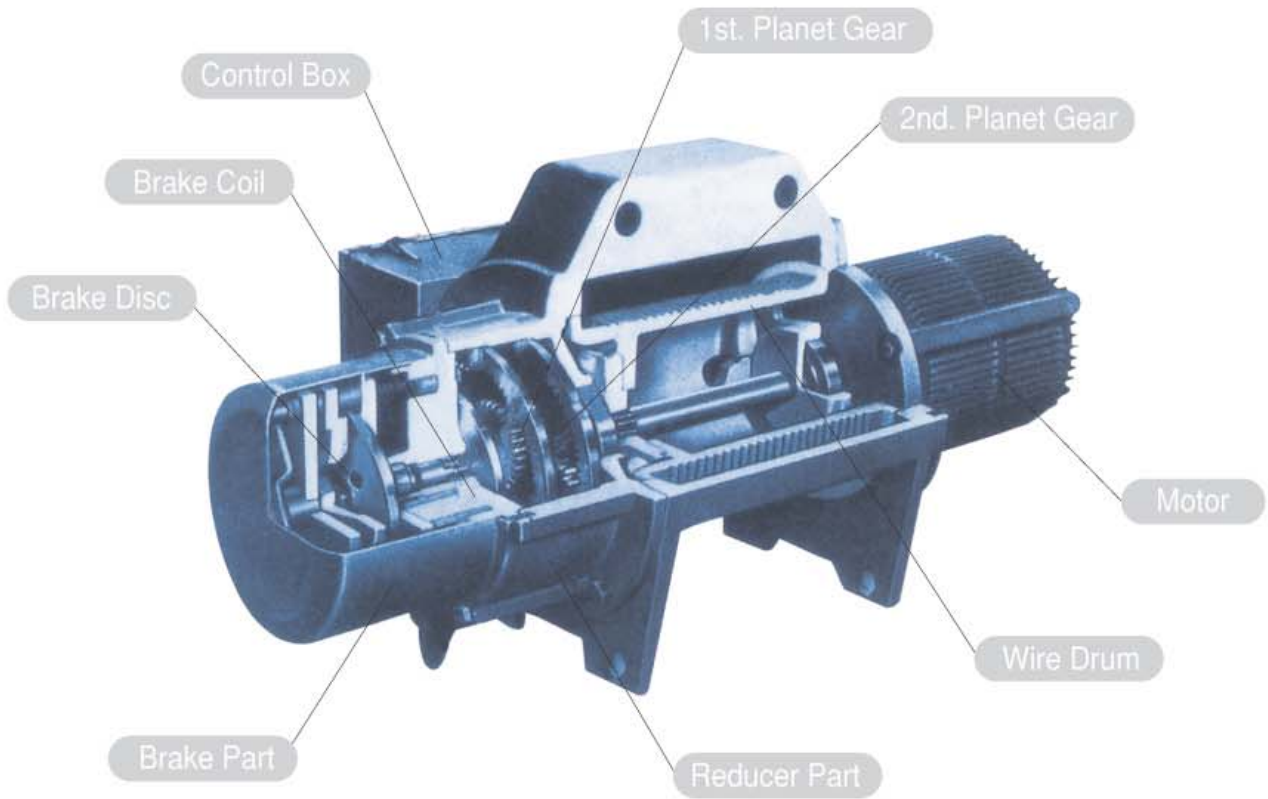
Gear Rolling Tester



Dynamo Meter



Cross - Sectional View



Specifications

Specifications		Regular type				Low-head type	Double-rail type
		Suspension Hoist	Hoist with hand-push trolley	Hoist with geared trolley	Hoist with motor-driven trolley	Hoist with motor-driven trolley	Hoist with motor-driven trolley
Accessories and indication	Push-button, switch and button indication	4-point(emergency-lamp-up-down)			6-point(emergency-lamp up-down-east-west)		8-point(emergency-lamp-up-down-east-west-south-north)
	Hoist body traverser	in case hoist body and traverser are separately furnished spacers and suspension bolts belongs to the traverser					Hoist body and traverser are integrated
Specifications	Power supply	1/2 ~ 70t : AC Three phases power source		220/380/440/480V / ~ 50/60Hz × 3ph			
	Ambient temperature	-10° C ~ 40° C					
	Construction	Weather and dust proof					
	Utilization factor	$\%ED = \frac{\text{Motor - powered time(min) in one hour with maximum work rate}}{60(\text{min})} \times 100$					
	Coating color	Munsell No. for the hoist body : 10B3/5, for the hook : 8.1YR7.6/15.2					



Mono-Rail Type Hoist



Double-Rail Type Hoist



**Double-Low-Head Type Hoist
(Special Type)**



Chain Hoist



Creep Type Hoist



Main & Aux. Type Hoist

TYPE & MODEL SELECTION

아래기호를 표시하여 Model을 선정, 발주 할 수 있습니다.



Type 형식	BN-Regular type (보통형) BL-Low-head type (로-헤드형) BD-Double-rail type (더블레일형) BMA-Main & Aux. type (친자형)	C-BN (미속 보통형) C-BL (미속 로-헤드형) C-BD (미속 더블레일형) C-BMA (미속 친자형)
Rated load 정격하중	1/2, 1, 2, 2.8, 3, 5, 7.5, 10, 15, 20 1/2, 1.2, 2.8, 3, 5 2, 3, 5, 7.5, 10, 15, 20, 30, 35, 50, 60, 70	Regular type Low-head type Double-type
Speed 권상속도	H-High speed (고속) L-Low speed (저속) C-Creep speed (미속)	
Lift 양정	6, 12, 18, 24, 30 6 12, 18, 24, 30	Regular type Low-head type Double-type
Trolley 횡행부	P-Hand-push trolley G-Geared trolley M-Motor driven trolley	
Speed 횡행속도	H-High speed motor traversing type L-Low speed only	

호이스트 본체
(Hoist Main Body)

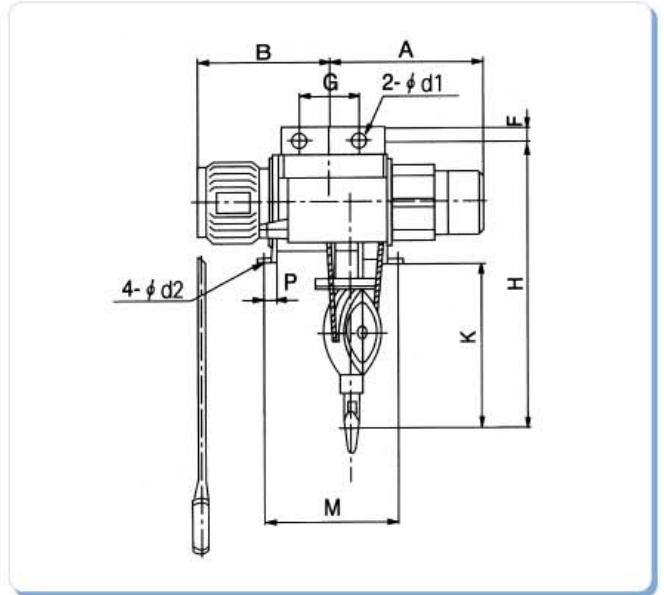
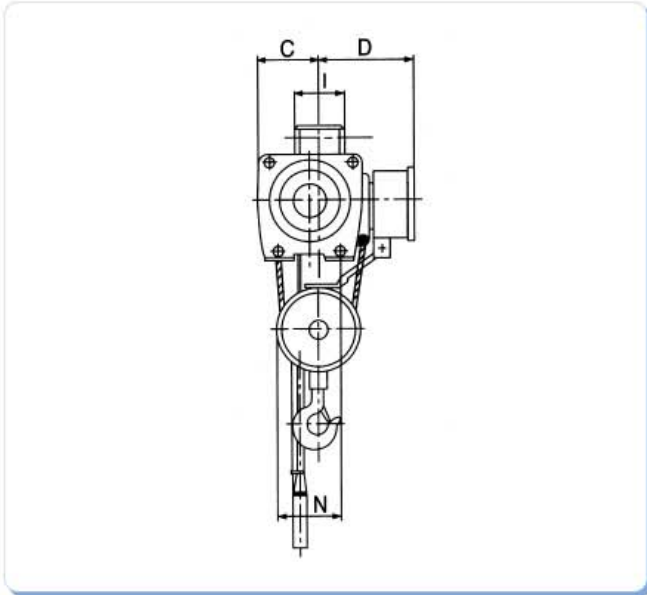
횡행
(Traversing)

EXAMPLE

- BN3-H6-ML : Regular type 3ton - high speed, 6m lift - motor trolley, low speed
- BL3-L6-MH : Low-head type 3ton - low speed, 6m lift - motor trolley, high speed
- BD3-H12-ML : Double - rail type 3ton - high speed, 12m lift - motor trolley, low speed

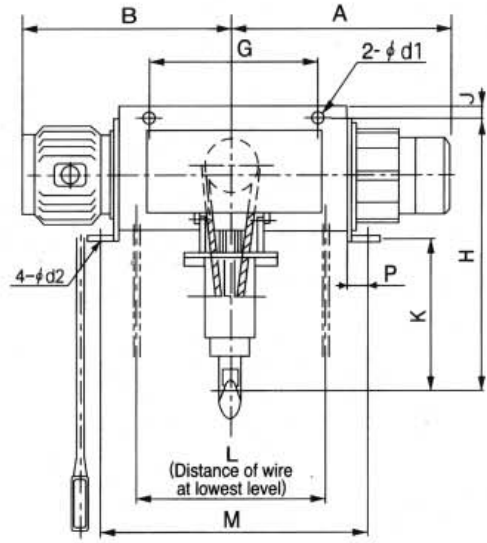
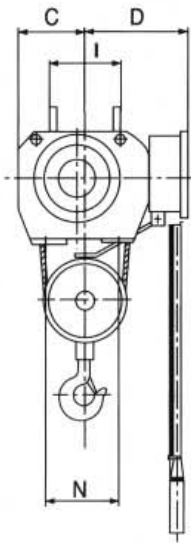


Regular Type Suspension Hoist (정치식)



Model		BN 0.5-S	BN 1-S	BN 2-S	BN 2.8-S	BN 3-S	BN 5-S	
Capacity(ton)		1/2	1	2	2.8	3	5	
Type	Hoisting Speed	High Speed	BN1/2-H6(12)	BN1-H6(12)	BN2-H6(12)	BN2.8-H6(12)	BN3-H6(12)	BN5-H6(12)
		Low Speed	BN1/2-L6(12)	BN1-L6(12)	BN2-L6(12)	BN2.8-L6(12)	BN3-L6(12)	BN5-L6(12)
Hoist	Max. lift(m)		6(12)	6(12)	6(12)	6(12)	6(12)	6(12)
	Hoisting Speed (m/min)	High Speed 50/60(Hz)	10/12	10/12	8.4/10	7.5/9	7.5/9	4.7/5.6
		Low Speed 50/60(Hz)	5/6	5/6	4.2/5	3.7/4.5	3.7/4.5	3.5/4.2
	Hoisting Motor (kw×P)	High Speed	1.2×4	2.4×4	3.7×4	4.8×4	5.5×4	5.5×6
		Low Speed	0.6×8	1.2×8	1.8×8	2.4×8	2.8×8	4.2×8
	Wire Rope	Construction	6×37	6×37	6×37	6×37	6×37	6×37
Dia(mm)× No. of Ropes		6×2	8×2	10×2	12.5×2	12.5×2	16×2	
Brake		DC Magnet Disc Brake						
Dimensions (approx.) (mm)	H	640	750	920	1060	1060	1245	
	A	370(465)	405(505)	465(565)	520(620)	520(620)	605(705)	
	B	355(450)	380(480)	410(510)	440(540)	440(540)	500(585)	
	C	150	170	205	210	210	250	
	D	230	255	290	350	380	415	
	G	160	160	200	200	200	280	
	F	28	28	34	34.5	34.5	44.5	
	I	112	112	150	150	150	180	
	K	385	360	470	560	560	690	
	M	340(530)	350(550)	350(550)	364(564)	364(564)	450(650)	
	N	160	150	200	200	200	250	
	P	48	45	47	44	44	55	
	d ¹	26	26	33	33	33	47	
d ²	17	17	17	17	17	17		
Weight(approx.) (kg)		100(120)	142(170)	240(240)	300(345)	300(345)	460(525)	

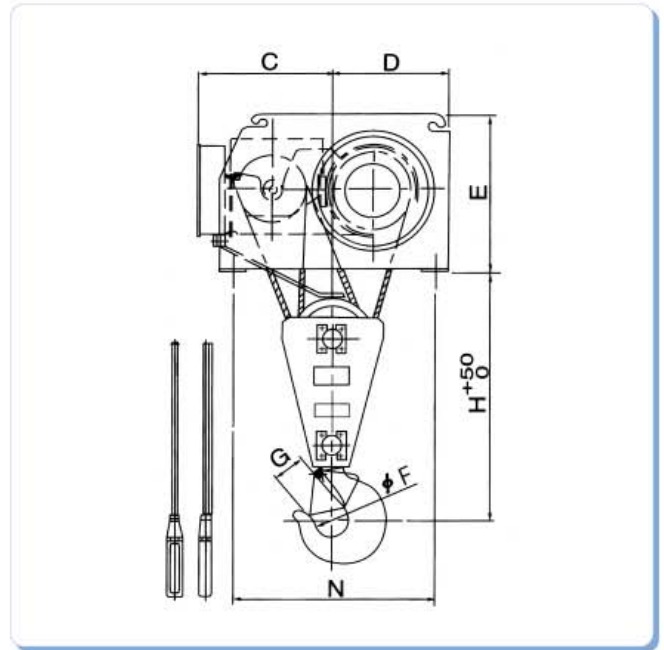
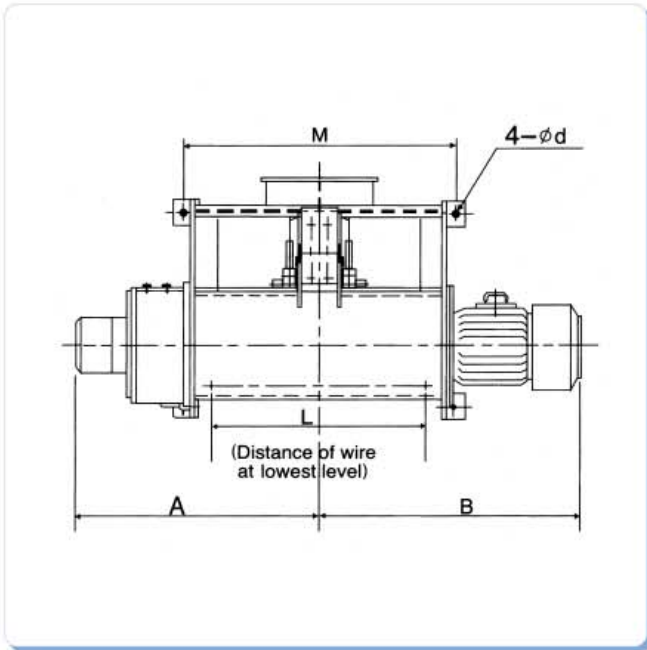
Note : Figures in parentheses are for hoists of 12-meter lift.



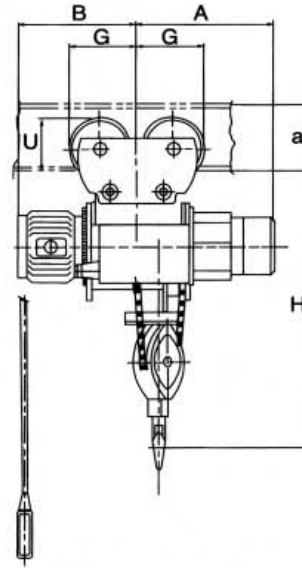
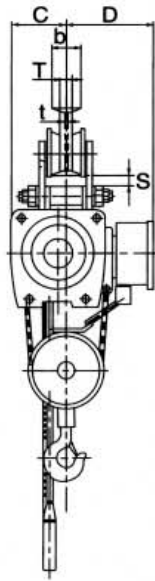
Model		BN 7.5-S	BN 10-S	BN 15-S	BN 20-S	
Capacity(ton)		7.5	10	15	20	
Type	Hoisting Speed	High Speed	BN 7.5-H12	BN 10-H12	BN 15-H12	BN 20-H12
		Low Speed	BN 7.5-L12	BN 10-L12	BN 15-L12	BN 20-L12
Hoist	Max. lift(m)		12	12	12	12
	Hoisting Speed (m/min)	High Speed 50/60(Hz)	3.1/3.8	3.7/4.5	3.7/4.5	3.5/4.2
		Low Speed 50/60(Hz)	2.3/2.8	2.5/3	2.5/3	2.3/2.8
	Hoisting Motor (kw×P)	High Speed	5.5×6	9×8	13×8	17×8
		Low Speed	4.2×8	6×12	8.5×12	11.5×12
	Wire Rope	Construction	6×37	6×37	6×37	6×37
Dia(mm)× No. of Ropes		14×4	16×4	20×4	22.4×4	
Brake		DC Magnet Disc Brake				
Dimensions (approx.) (mm)	H	1270	1330	1660	1900	
	A	925	975	1075	1165	
	B	835	955	1005	1220	
	C	300	330	370	400	
	D	480	510	620	640	
	G	800	800	800	850	
	F	232	232	272	272	
	I	50	50	65	65	
	K	720	740	965	1150	
	M	1100	1100	1150	1250	
	N	400	400	500	500	
	P	62	62	70	70	
	d ¹	47	47	63	63	
d ²	25	25	25	25		
Weight(approx.) (kg)		700	1000	1500	1900	



Regular Type Suspension Hoist (정치식)



Model		BD 35-S	BD 50-S	BD 60-S	BD 70-S	
Capacity(ton)		35	50	60	70	
Type		BD 35-H12	BD 50-H12	BD 60-H12	BD 70-H12	
Hoist	Max. lift(m)	12	12	12	12	
	Hoisting Speed(m/min) 50/60Hz	4/7.5	2.7/3.2	2/2.4	2/2.4	
	Hoisting Motor(kw x P)	37 x 6	37 x 6	37 x 6	37 x 6	
	Wire Rope	Construction	6 x Fi(25)	6 x Fi(25)	6 x Fi(25)	6 x Fi(25)
		Dia(mm) x No. of Ropes	28 x 4	28 x 6	28 x 8	28 x 8
Brake		DC Magnet Disc Brake				
Dimensions (approx.) (mm)	H	1500	1900	2000	2000	
	A	1455	1780	2030	2030	
	B	1360	1685	1935	1935	
	C	560	905	1000	1000	
	D	855	1100	1005	1005	
	E	1000	1000	1000	1000	
	L	1075	1430	1930	1930	
	M	1500	2250	2750	2750	
	N	1000	1600	1600	1600	
ød	47	63	63	63		
Weight(approx.) (kg)		4200	6000	8200	8200	

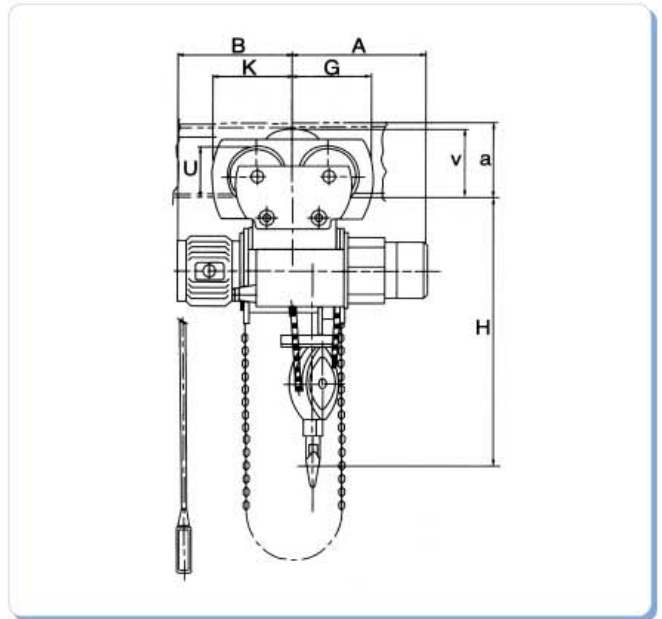
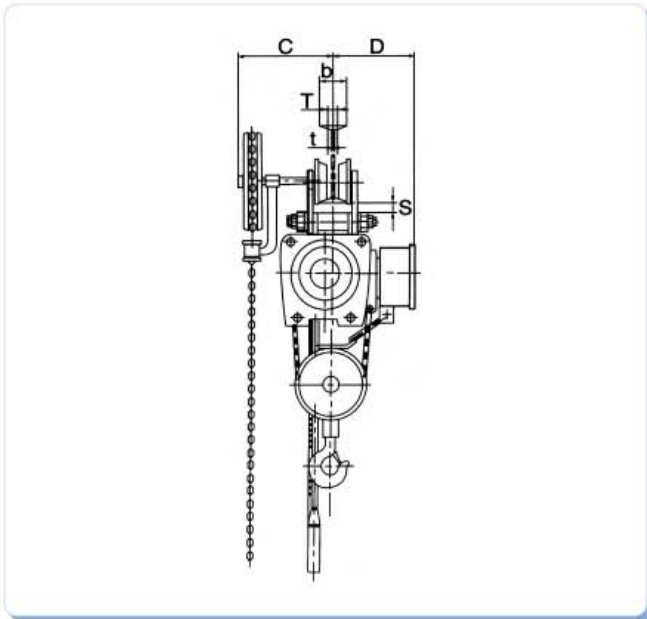


Model			BN 0.5-P			BN 1-P			BN 2-P		
Capacity(ton)			1/2			1			2		
Type	Hoisting Speed	High Speed	BN 1/2-H6(12)-P			BN 1-H6(12)-P			BN 2-H6(12)-P		
		Low Speed	BN 1/2-L6(12)-P			BN 1-L6(12)-P			BN 2-L6(12)-P		
Hoist	Max. lift(m)		6(12)			6(12)			6(12)		
	Hoisting Speed (m/min)	High Speed 50/60(Hz)	10/12			10/12			8.4/10		
		Low Speed 50/60(Hz)	5/6			5/6			4.2/5		
	Hoisting Motor (kw x P)	High Speed	1.2 x 4			2.4 x 4			3.7 x 4		
		Low Speed	0.6 x 8			1.2 x 8			1.8 x 8		
	Wire Rope	Construction	6 x 37			6 x 37			6 x 37		
Dia(mm) x No. of Ropes		6 x 2			8 x 2			10 x 2			
Brake		DC Magnet Disc Brake									
Dimensions(approx.) (mm)		H	705			815			980		
		A	370(465)			405(505)			465(565)		
		B	355(450)			380(480)			410(510)		
		C	150			170			205		
		D	265			275			310		
		G	185			185			205		
I-Beam and Spacing (mm)		a x b x c	S	T	U	S	T	U	S	T	U
		200x100x7	38	46	126	38	46	126	38	46	126
		250x125x7.5	30	71	134	30	71	134	24	71	162
		300x150x10	28	96	136	28	96	136	24	96	162
Min. Radius of Curvature(m)		1.5			1.5			1.8			
Weight(approx.) (kg)		123(143)			166(194)			244(280)			

Note : 1. Dimension of I-beam in Sections are standard ones. Other I-beam also can be changing spacers.
 2. If Curved rail requires, this must be indicated in advance.



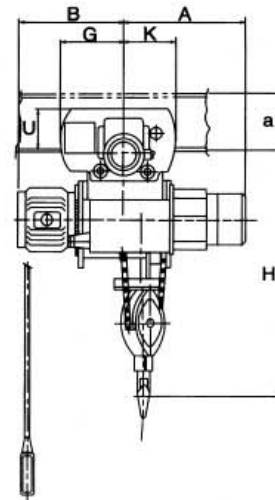
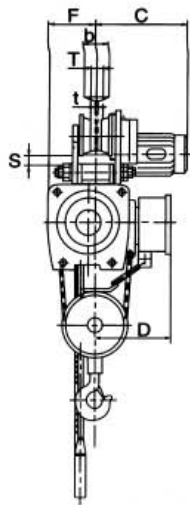
Regular Type Hoist with Geared Trolley



Model		BN 0.5-G	BN 1-G	BN 2-G	BN 2.8-G	BN 3-G	BN 5-G																								
Capacity(ton)		1/2	1	2	2.8	3	5																								
Type	Hoisting Speed	High Speed	BN1/2-H6(12)-G	BN1-H6(12)-G	BN2-H6(12)-G	BN2.8-H6(12)-G	BN3-H6(12)-G	BN5-H6(12)-G																							
		Low Speed	BN1/2-L6(12)-G	BN1-L6(12)-G	BN2-L6(12)-G	BN2.8-L6(12)-G	BN3-L6(12)-G	BN5-L6(12)-G																							
Hoist	Max. lift(m)		6(12)	6(12)	6(12)	6(12)	6(12)	6(12)																							
	Hoisting Speed (m/min)	High Speed 50/60(Hz)	10/12	10/12	8.4/10	7.5/9	7.5/9	4.7/5.6																							
		Low Speed 50/60(Hz)	5/6	5/6	4.2/5	3.7/4.5	3.7/4.5	3.5/4.2																							
	Hoisting Motor (kw×P)	High Speed	1.2×4	2.4×4	3.7×4	4.8×4	5.5×4	5.5×6																							
		Low Speed	0.6×8	1.2×8	1.8×8	2.4×8	2.8×8	4.2×8																							
	Wire Rope	Construction	6×37	6×37	6×37	6×37	6×37	6×37																							
Dia(mm)× No. of Ropes		6×2	8×2	10×2	12.5×2	12.5×2	16×2																								
Brake		DC Magnet Disc Brake																													
Dimensions (approx.) (mm)	H	705	815	980	1115	1115	1325																								
	A	370(465)	405(505)	465(565)	520(620)	520(620)	605(705)																								
	B	355(450)	380(480)	410(510)	440(540)	440(540)	500(585)																								
	C	255	255	260	260	260	275																								
	265	275	310	365	380	415																									
	K	200	200	225	225	225	275																								
I-Beam and Spacing (mm)	a×b×c	C	S	T	U	V	C	S	T	U	V	C	S	T	U	V	C	S	T	U	V	C	S	T	U	V	C	S	T	U	V
	200×100×7	329	38	46	144	172	329	38	46	144	172	-	-	-	-	-	-	-	-	-	-	-	-	-	-	-					
	250×125×7.5	342	30	71	153	181	342	30	71	153	181	356	24	71	182	240	356	24	71	182	240	359	39	61	222	256					
	300×150×10	354	28	96	156	183	354	28	96	156	183	369	24	96	182	245	369	24	96	182	245	371	37	86	274	260					
	450×175×13	-	-	-	-	-	-	-	-	-	-	-	-	-	-	-	-	-	-	-	-	-	-	-	-	-					
Min. Radius of Curvature(m)	1.5		1.5		1.8		1.8		1.8		2.3																				
Weight(approx.) (kg)	147(179)		190(230)		273(321)		369(417)		369(417)		562(639)																				

Note : 1. Figures in parentheses are for Hoists of 12-meter lift

2. Dimensions of I-beam in Sections are standard ones. Other I-beam also can be used by changing spacers.



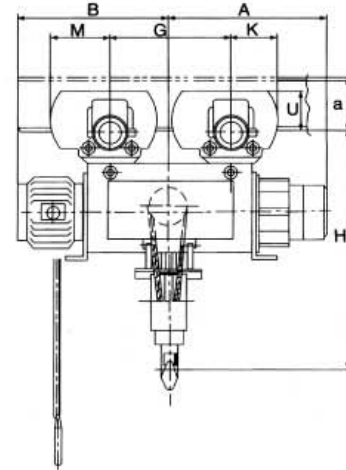
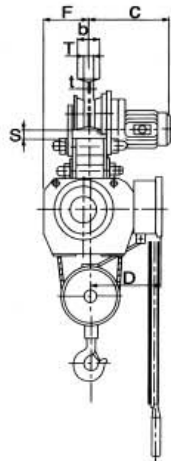
Model		BN 0.5-M	BN 1-M	BN 2-M	BN 2.8-M	BN 3-M	BN 5-M																								
Capacity(ton)		1/2	1	2	2.8	3	5																								
Type	Hoisting Speed (High-low)	High-high	BN1/2-H6(12)-MH	BN1-H6(12)-MH	BN2-H6(12)-MH	BN2.8-H6(12)-MH	BN3-H6(12)-MH	BN5-H6(12)-MH																							
		High-low	BN1/2-H6(12)-ML	BN1-H6(12)-ML	BN2-H6(12)-ML	BN2.8-H6(12)-ML	BN3-H6(12)-ML	BN5-H6(12)-ML																							
	Traversing Speed (High-low)	Low-high	BN1/2-L6(12)-MH	BN1-L6(12)-MH	BN2-L6(12)-MH	BN2.8-L6(12)-MH	BN3-L6(12)-MH	BN5-L6(12)-MH																							
		Low-low	BN1/2-L6(12)-ML	BN1-L6(12)-ML	BN2-L6(12)-ML	BN2.8-L6(12)-ML	BN3-L6(12)-ML	BN5-L6(12)-ML																							
Hoist	Max. lift(m)		6(12)	6(12)	6(12)	6(12)	6(12)	6(12)																							
	Hoisting Speed (m/min)	High Speed 50/60(Hz)	10/12	10/12	8.4/10	7.5/9	7.5/9	4.7/5.6																							
		Low Speed 50/60(Hz)	5/6	5/6	4.2/5	3.7/4.5	3.7/4.5	3.5/4.2																							
	Hoisting Motor (kw x P)	High Speed	1.2x4	2.4x4	3.7x4	4.8x4	5.5x4	5.5x6																							
		Low Speed	0.6x8	1.2x8	1.8x8	2.4x8	2.8x8	4.2x8																							
	Wire Rope	Construction	6x37	6x37	6x37	6x37	6x37	6x37																							
Dia(mm)x No. of Ropes		6x2	8x2	10x2	12.5x2	12.5x2	16x2																								
Brake		DC Magnet Disc Brake																													
Traversing	Traversing Speed (m/min)	High Speed 50/60(Hz)	20/24	20/24	20/24	20/24	20/24	20/24																							
		Low Speed 50/60(Hz)	13/6	13/6	13/6	13/6	13/6	13/6																							
	Traversing Motor (kw x P)	High Speed	0.4x4	0.4x4	0.75x4	0.75x4	0.75x4	0.75x4																							
		Low Speed	0.2x6	0.2x6	0.5x6	0.5x6	0.5x6	0.5x6																							
Dimensions (approx.) (mm)	H	705	815	980	1115	1115	1325																								
	A	370(465)	405(505)	465(565)	520(620)	520(620)	605(705)																								
	B	355(450)	380(480)	410(510)	440(540)	440(540)	500(585)																								
	D	275	275	310	365	380	415																								
	G	255	255	260	260	260	275																								
	K	200	200	225	225	225	275																								
I-Beam and Spacing (mm)	axbxc	C	F	S	T	U	C	F	S	T	U	C	F	S	T	U	C	F	S	T	U	C	F	S	T	U					
	200x100x7	385	150	38	46	144	385	170	38	46	144	-	-	-	-	-	-	-	-	-	-	-	-	-	-	-					
	250x125x7.5	395	150	30	71	153	395	170	30	71	153	445	205	24	71	182	445	210	23	71	182	445	210	23	71	182	455	250	398	61	222
	300x150x10	410	150	28	96	155	410	170	28	96	155	460	205	24	96	182	460	210	23	96	182	460	210	23	96	182	465	250	37	86	224
	450x175x13	-	-	-	-	-	-	-	-	-	-	-	-	-	-	-	-	-	-	-	-	-	-	-	-	-	-	480	250	34	111
Min. Radius of Curvature(m)		1.5		1.5		1.8		1.8		1.8		1.8		2.3																	
Weight(approx.) (kg)		147(167)		190(218)		278(314)		374(418)		374(418)		577(642)																			

Note : 1. Figures in parentheses are for Hoists of 12-meter lift

2. Dimensions of I-beam in Sections are standard ones. Other I-beam also can be used by changing spacers.

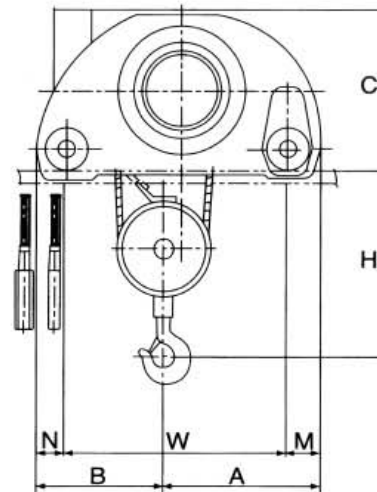
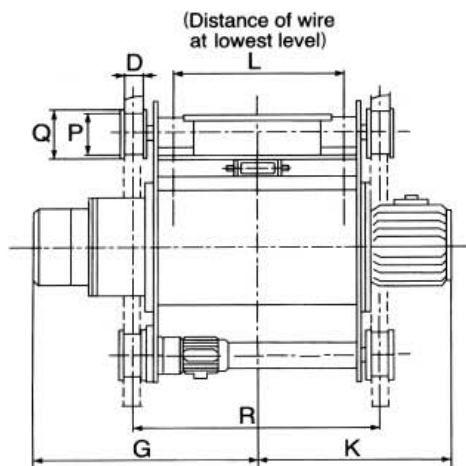


Regular Type Hoist with Motor - Driven Trolley



Model			BN 7.5-M	BN 10-M	BN 15-M	BN 20-M																
Capacity(ton)			7.5	10	15	20																
Type	Hoisting Speed (High-low)	High-high	BN 7.5-H12-MH	BN 10-H12-MH	BN 15-H12-MH	BN 20-H12-MH																
		High-low	BN 7.5-H12-ML	BN 10-H12-ML	BN 15-H12-ML	BN 20-H12-ML																
	Traversing Speed (High-low)	Low-high	BN 7.5-L12-MH	BN 10-L12-MH	BN 15-L12-MH	BN 20-L12-MH																
		Low-low	BN 7.5-L12-ML	BN 10-L12-ML	BN 15-L12-ML	BN 20-L12-ML																
Hoist	Max. lift(m)		12	12	12	12																
	Hoisting Speed (m/min)	High Speed 50/60(Hz)	3.1/3.8	3.1/4.5	3.7/4.5	3.5/4.2																
		Low Speed 50/60(Hz)	2.3/2.8	2.5/3	2.5/3	2.3/2.8																
	Hoisting Motor (kw×P)	High Speed	5.5×6	9×8	13×8	17×8																
		Low Speed	4.2×8	6×12	8.5×12	11.5×12																
	Wire Rope	Construction	6×37	6×37	6×37	6×37																
		Dia(mm)× No. of Ropes	14×4	16×4	20×4	22.4×4																
Brake		DC Magnet Disc Brake																				
Traversing	Traversing Speed (m/min)	High Speed 50/60(Hz)	12.5/15	12.5/15	12.5/15	12.5/15																
		Low Speed 50/60(Hz)	8.3/10	8.3/10	8.3/10	8.3/10																
	Traversing Motor (kw×P)	High Speed	0.75×4	0.75×4	1.5×4	1.5×4																
		Low Speed	0.5×6	0.5×6	1×6	1×6																
	Brake		DC Magnet Disc Brake																			
Dimensions (approx.) (mm)	H		1460	1520	1875	2115																
	A		925	975	1075	1165																
	B		835	955	1005	1220																
	D		480	510	620	640																
	G		800	800	800	850																
	K		276	276	300	300																
	M		276	276	300	300																
I-Beam and Spacing (mm)	a×b×c		C	F	S	T	U	C	F	S	T	U	C	F	S	T	U	C	F	S	T	U
	300×150×10		500	300	35	68	224	485	330	35	68	224	-	-	-	-	-	-	-	-	-	-
	450×175×13		510	300	20	93	228	490	330	30	93	228	580	370	32	77	248	580	400	32	77	248
	600×190×13		520	300	25	118	232	495	330	25	118	232	590	370	32	92	248	590	370	32	92	248
Min. Radius of Curvature(m)		For Straight Rails Only																				
Weight(approx.) (kg)		910		1210			2030			2430												

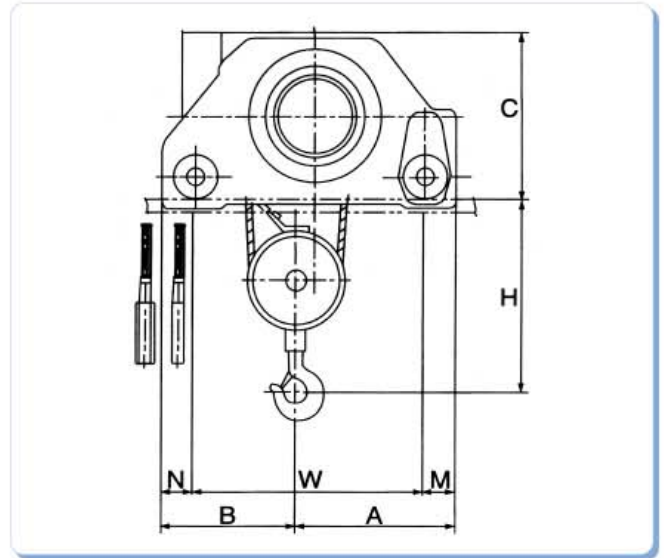
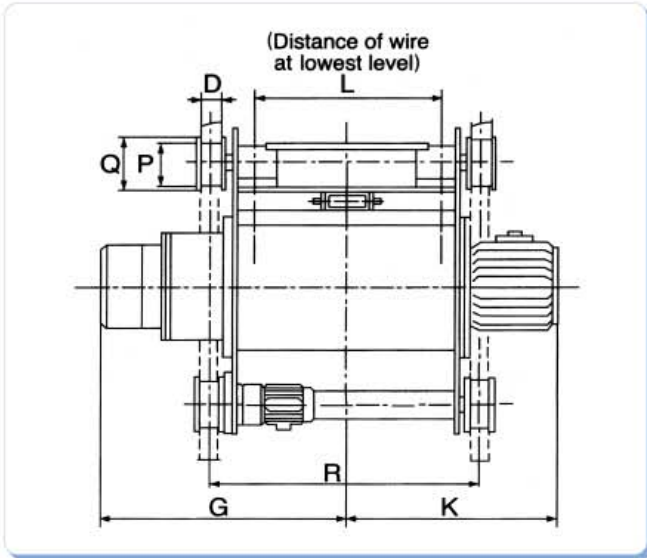
Note : 1. Dimensions of I-beam in Sections are standard ones. Other I-beam also can be used by changing spacers.
 2. If curved rail requires, this must be indicated in advance.



Model			BD 2-M	BD 2.8-M	BD 3-M	BD 5-M
Capacity(ton)			2	2.8	3	5
Type	Hoisting Speed (High-low)	High-high	BD 2-H12-MH	BD 2.8-H12-MH	BD 3-H12-MH	BD 5-H12-MH
		High-low	BD 2-H12-ML	BD 2.8-H12-ML	BD 3-H12-ML	BD 5-H12-ML
	Traversing Speed (High-low)	Low-high	BD 2-L12-MH	BD 2.8-L12-MH	BD 3-L12-MH	BD 5-L12-MH
		Low-low	BD 2-L12-ML	BD 2.8-L12-ML	BD 3-L12-ML	BD 5-L12-ML
Hoist	Max. lift(m)		12	12	12	12
	Hoisting Speed (m/min)	High Speed 50/60(Hz)	8.4/10	7.5/9	7.5/9	4.7/5.6
		Low Speed 50/60(Hz)	4.2/5	3.7/4.5	3.7/4.5	3.5/4.2
	Hoisting Motor (kw x P)	High Speed	3.7 x 4	4.8 x 4	5.5 x 4	5.5 x 6
		Low Speed	1.8 x 8	2.4 x 8	2.8 x 8	4.2 x 8
	Wire Rope	Construction	6 x 37	6 x 37	6 x 37	6 x 37
Dia(mm) x No. of Ropes		8 x 4	9 x 4	9 x 4	12.5 x 4	
Brake			DC Magnet Disc Brake			
Traversing	Traversing Speed (m/min)	High Speed 50/60(Hz)	20/24	20/24	20/24	20/24
		Low Speed 50/60(Hz)	13/16	13/16	13/16	13/16
	Traversing Motor (kw x P)	High Speed	0.75 x 4	0.75 x 4	0.75 x 4	0.75 x 4
		Low Speed	0.5 x 6	0.5 x 6	0.5 x 6	0.5 x 6
Dimensions (approx.) (mm)	H	415	420	420	510	
	R	950	950	950	1,150	
	A	465	465	465	510	
	B	390	390	390	470	
	C	500	500	600	630	
	G	740	785	785	935	
	K	690	705	705	830	
	W	650	650	650	760	
	D	47	47	47	47	
	L	680	690	690	890	
	M	115	115	115	125	
	N	90	90	90	110	
P	140	140	140	165		
Q	170	170	170	190		
Weight(approx.) (kg)			450	550	550	850
Traversing Rail			15 kg/m	15 kg/m	15 kg/m	15 kg/m

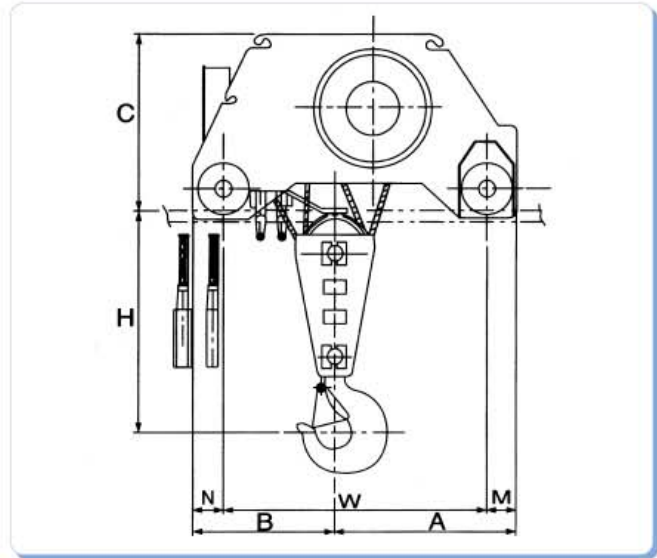
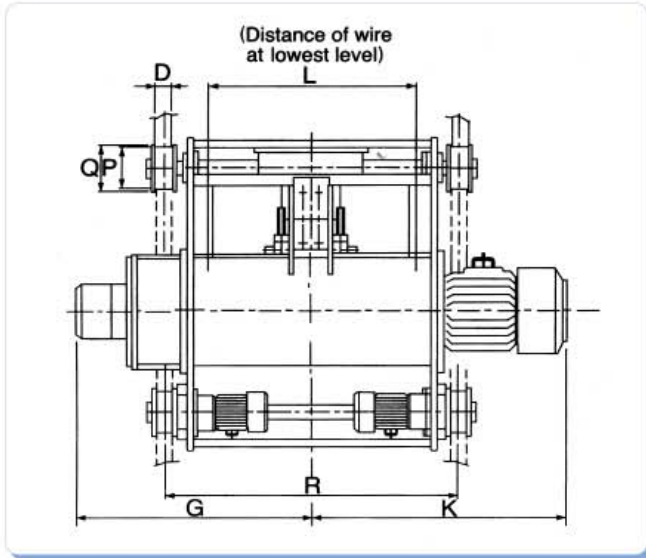


Double-Rail Type Hoist with Motor-Driven Trolley



Model			BD 7.5-M	BD 10-M	BD 15-M	BD 20-M	BD 30-M
Capacity(ton)			7.5	10	15	20	30
Type	Hoisting Speed (High-low)	High-high	BD 7.5-H12-MH	BD 10-H12-MH	BD 15-H12-MH	BD 20-H12-MH	BD 30-H12-MH
		High-low	BD 7.5-H12-ML	BD 10-H12-ML	BD 15-H12-ML	BD 20-H12-ML	BD 30-H12-ML
	Traversing Speed (High-low)	Low-high	BD 7.5-L12-MH	BD 10-L12-MH	BD 15-L12-MH	BD 20-L12-MH	BD 30-L12-MH
		Low-low	BD 7.5-L12-ML	BD 10-L12-ML	BD 15-L12-ML	BD 20-L12-ML	BD 30-L12-MH
Hoist	Max. lift(m)		12	12	12	12	12
	Hoisting Speed (m/min)	High Speed 50/60(Hz)	3.1/3.8	3.7/4.5	3.7/4.5	3.5/4.2	2.3/2.8
		Low Speed 50/60(Hz)	2.3/2.8	2.5/3	2.5/3	2.5/2.8	1.5/1.8
	Hoisting Motor (kw x P)	High Speed	5.5 x 6	9 x 8	13 x 8	17 x 8	17 x 8
		Low Speed	4.2 x 8	6 x 12	8.5 x 12	11.5 x 12	11.5 x 12
	Wire Rope	Construction	6 x 37	6 x 37	6 x 37	6 x 37	6 x 37
Dia(mm) x No. of Ropes		14 x 4	16 x 4	20 x 4	22.4 x 4	22.4 x 6	
Brake			DC Magnet Disc Brake				
Traversing	Traversing Speed (m/min)	High Speed 50/60(Hz)	12.5/15	12.5/15	12.5/15	12.5/15	12.5/15
		Low Speed 50/60(Hz)	8.3/10	8.3/10	8.3/10	8.3/10	8.3/10
	Traversing Motor (kw x P)	High Speed	0.75 x 4	0.75 x 4	1.5 x 4	1.5 x 4	1.5 x 4 (2 units)
		Low Speed	0.5 x 6	0.5 x 6	1 x 6	1 x 6	1 x 6 (2 units)
Dimensions (approx.) (mm)	H	730	775	995	1175	1480	
	R	1150	1150	1200	1300	1800	
	A	525	565	625	670	940	
	B	480	510	555	610	940	
	C	645	695	860	900	980	
	G	925	975	1075	1165	1425	
	K	835	955	1005	1220	1480	
	W	800	865	920	1000	1540	
	D	58	58	5=8	58	70	
	L	852	851	872	934	1418	
	M	120	120	130	140	180	
	N	95	100	130	140	160	
P	165	165	180	220	250		
Q	195	195	210	250	280		
Weight(approx.) (kg)			900	1200	1850	2300	3450
Traversing Rail			15 kg/m	15 kg/m	22 kg/m	22 kg/m	30 kg/m

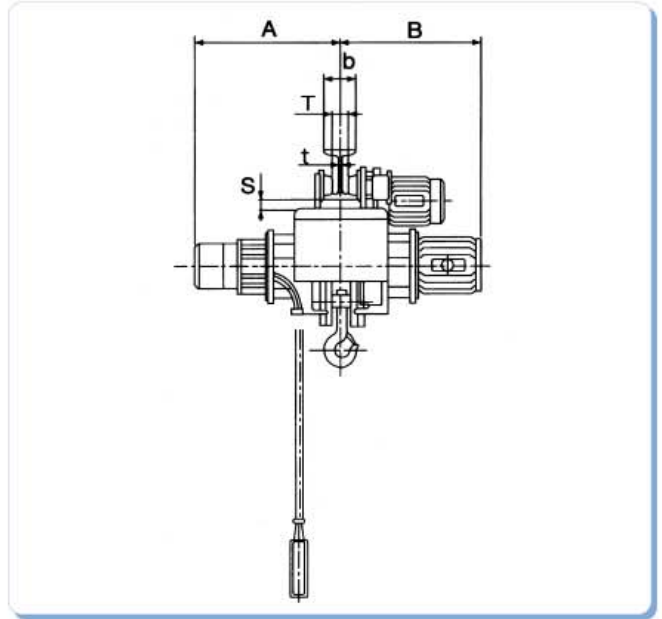
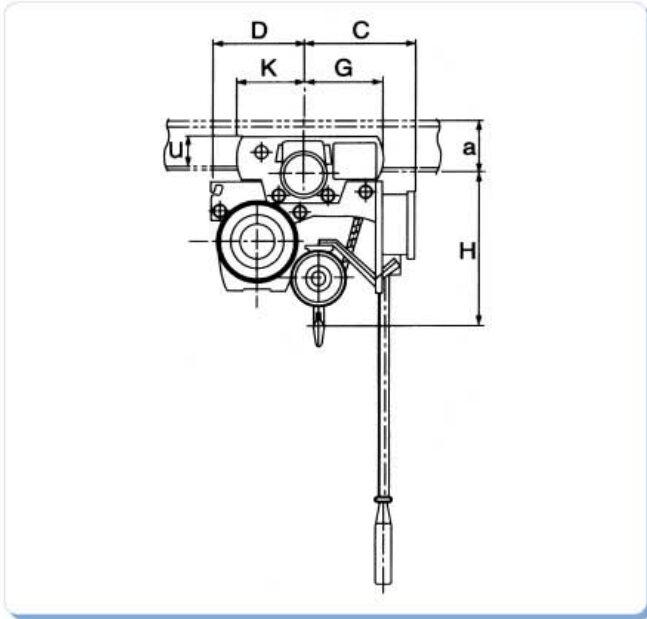
Double-Rail Type Hoist with Motor-Driven Trolley



Model			BD 35-M	BD 50-M	BD 60-M	BD 70-M
Capacity(ton)			35	50	60	70
Type	High Speed Traversing		BD 35-H12-MH	BD 2.8-H12-MH	BD 3-H12-MH	BD 5-H12-MH
	Low Speed Traversing		BD 35-H12-ML	BD 2.8-H12-ML	BD 3-H12-ML	BD 5-H12-ML
Hoist	Max. lift(m)		12	12	12	12
	Hoisting Speed(m/min) 50/60(Hz)		4/4.8	2.7/3.2	2/2.4	2/2.4
	Hoisting Motor (kw x P)		33 x 6	37 x 6	37 x 6	37 x 6
	Wire Rope	Construction	6 x Fi(25)	6 x Fi(25)	6 x Fi(25)	6 x Fi(25)
		Dia(mm) x No. of Ropes	28 x 4	28 x 6	28 x 8	28 x 8
Brake		DC Magnet Disc Brake				
Traversing	Traversing Speed (m/min)	High Speed 50/60(Hz)	12.5/15	12.5/15	12.5/15	12.5/15
		Low Speed 50/60(Hz)	8.3/10	8.3/10	8.3/10	8.3/10
	Traversing Motor (kw x P)	High Speed	2.2 x 4	2.2 x 4(2UNITS)	2.2 x 4(2UNITS)	3.7 x 4(2UNITS)
		Low Speed	1.5 x 6	1.5 x 6(2UNITS)	1.5 x 6(2UNITS)	2.2 x 6(2UNITS)
Dimensions (approx.) (mm)	H		1490	1680	1780	1780
	R		1600	2300	2800	2800
	A		1025	1432	1525	1525
	B		955	1243	1150	1150
	C		1013	1220	1220	1220
	G		1455	1780	2030	2030
	K		1360	1715	1965	1965
	W		1550	2125	2125	2075
	D		70	80	80	80
	L		1044	1430	1930	1930
	M		215	275	275	300
	N		215	275	275	300
P		355	450	450	500	
Q		395	490	490	540	
Weight(approx.) (kg)			5200	7000	8500	9000
Traversing Rail			37 kg/m	50 kg/m	50 kg/m	50 kg/m



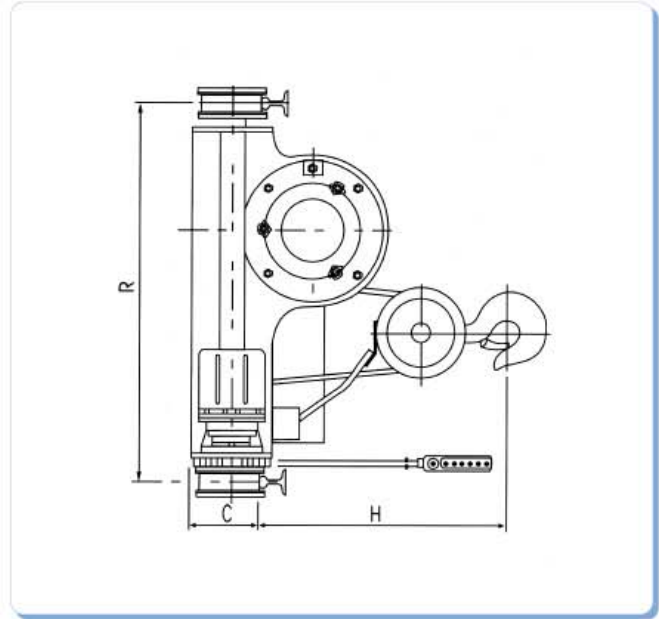
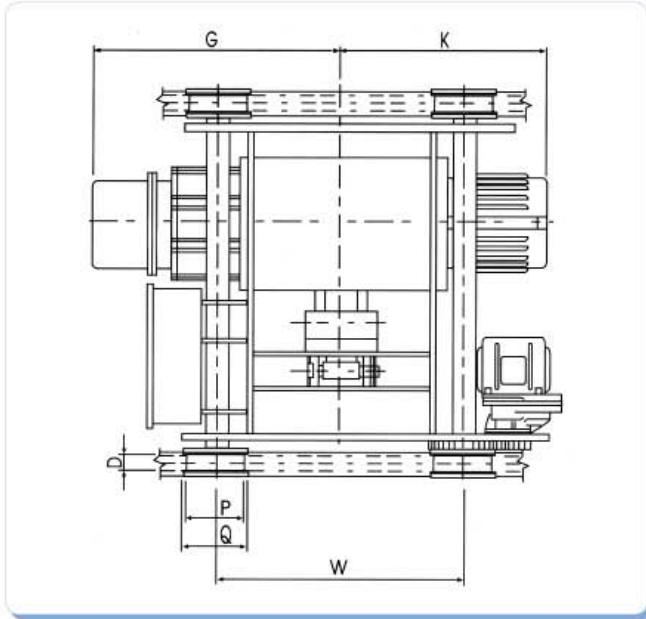
Low-Head Type Hoist with Motor-Driven Trolley



Model		BL 0.5-M	BL 1-M	BL 2-M	BL 2.8-M	BL 3-M	BL 5-M												
Capacity(ton)		1/2	1	2	2.8	3	5												
Type	Hoisting Speed (High-low)	High-high	BL 1/2-H6-MH	BL 1-H6-MH	BL 2-H6-MH	BL 2.8-H6-MH	BL 3-H6-MH	BL 5-H6-MH											
		High-low	BL 1/2-H6-ML	BL 1-H6-ML	BL 2-H6-ML	BL 2.8-H6-ML	BL 3-H6-ML	BL 5-H6-ML											
	Traversing Speed (High-low)	Low-high	BL 1/2-H6-MH	BL 1-H6-MH	BL 2-H6-MH	BL 2.8-H6-MH	BL 3-H6-MH	BL 5-H6-MH											
		Low-low	BL 1/2-H6-ML	BL 1-H6-ML	BL 2-H6-ML	BL 2.8-H6-ML	BL 3-H6-ML	BL 5-H6-ML											
Hoist	Max. lift(m)		6	6	6	6	6	6											
	Hoisting Speed (m/min)	High Speed 50/60(Hz)	10/12	10/12	8.4/10	7.5/9	7.5/9	4.7/5.6											
		Low Speed 50/60(Hz)	5/6	5/6	4.2/5	3.7/4.5	3.7/4.5	3.5/4.2											
	Hoisting Motor (kw x P)	High Speed	1.2 x 4	2.4 x 4	3.7 x 4	4.8 x 4	5.5 x 4	5.5 x 6											
		Low Speed	0.6 x 8	1.2 x 8	1.8 x 8	2.4 x 8	2.8 x 8	4.2 x 8											
	Wire Rope	Construction	7 x 19	6 x 37	6 x 37	6 x 37	6 x 37	6 x 37											
Dia(mm) x No. of Ropes		4 x 4	6 x 4	8 x 4	9 x 4	9 x 4	11.2 x 4												
Brake		DC Magnet Disc Brake																	
Traversing	Traversing Speed (m/min)	High Speed 50/60(Hz)	20/24	20/24	20/24	20/24	20/24	20/24											
		Low Speed 50/60(Hz)	13/16	13/16	13/16	13/16	13/16	13/16											
	Traversing Motor (kw x P)	High Speed	0.4 x 4	0.4 x 4	0.75 x 4	0.75 x 4	0.75 x 4	0.75 x 4											
		Low Speed	0.2 x 6	0.2 x 6	0.5 x 6	0.5 x 6	0.5 x 6	0.5 x 6											
Dimensions (approx.) (mm)	H	550	550	620	620	620	800												
	A	465	505	590	620	620	705												
	B	450	480	510	540	540	585												
	C	405	405	435	495	510	585												
	D	245	290	385	395	395	465												
	G	255	255	260	260	260	275												
	K	200	200	225	225	225	275												
I-Beam and Spacing (mm)	a x b x c	S	T	U	S	T	U	S	T	U	S	T	U	S	T	U	S	T	U
	200x100x7	38	46	144	38	46	144	-	-	-	-	-	-	-	-	-	-	-	-
	250x125x7.5	30	71	153	30	71	153	22	71	182	23	71	182	22	371	182	-	-	-
	300x150x10	28	96	155	28	96	155	22	96	182	23	96	182	23	96	182	26	86	224
	450x175x13	-	-	-	-	-	-	-	-	-	-	-	-	-	-	-	23	111	228
Min. Radius of Curvature(m)		1.5		1.5		1.8		1.8		1.8		1.8		2.3					
Weight(approx.) (kg)		175		200		350		440		440		730							

Note : 1. Dimensions of I-beam in Sections are standard ones. Other I-beam also can be used by changing spacers.

Double Low-Head Type Hoist with Motor-Driven Trolley



Model		BDL 2-M	BDL 2.8-M	BDL 3-M	BDL 5-M	BDL 7.5-M	
Capacity(ton)		2	2.8	3	5	7.5	
Type	Hoisting Speed (High-low)	High-high	BDL 2-H6-MH	BDL 2.8-H6-MH	BDL 3-H6-MH	BDL 5-H6-MH	BDL 7.5-H6-MH
		High-low	BDL 2-H6-ML	BDL 2.8-H6-ML	BDL 3-H6-ML	BDL 5-H6-ML	BDL 7.5-H6-ML
	Traversing Speed (High-low)	Low-high	BDL 2-L6-MH	BDL 2.8-L6-MH	BDL 3-L6-MH	BDL 5-L6-MH	BDL 7.5-L6-MH
		Low-low	BDL 2-L6-ML	BDL 2.8-L6-ML	BDL 3-L6-ML	BDL 5-L6-ML	BDL 7.5-L6-MH
Hoist	Max. lift(m)		6	6	6	6	6
	Hoisting Speed (m/min)	High 50(Hz)	8.3	7.5	7.5	4.7	3.2
		Speed 60(Hz)	10	9	9	5.6	3.8
		Low 50(Hz)	5	3.8	3.8	3.5	2.4
		Speed 60(Hz)	6	4.5	4.5	4.2	2.8
	Hoisting Motor (kw×P)	High Speed	3.7×4	4.8×4	5.5×4	5.5×6	5.5×6
		Low Speed	18.8×6	2.4×8	2.8×8	4.2×8	4.2×8
Wire Rope	Construction	6×37	6×37	6×37	6×37	6×37	
	Dia(mm)× No. of Ropes	8×4	9×4	9×4	11.2×4	14×4	
Brake		DC Magnet Disc Brake					
Traversing	Traversing Speed (m/min)	High 50(Hz)	20	20	20	20	12.5
		Speed 60(Hz)	24	24	24	24	15
		Low 50(Hz)	13	13	13	13	8.3
		Speed 60(Hz)	16	16	16	16	10
	Traversing Motor (kw×P)	High Speed	0.75×4	0.75×4	0.75×4	0.75×4	0.75×4
		Low Speed	0.5×6	0.5×6	0.5×6	0.5×6	0.5×6
Brake		DC Magnet Disc Brake					
Dimensions (approx.) (mm)	H	390	495	495	525	950	
	R	950	950	950	1150	1400	
	C	170	170	170	192.5	200	
	G	582	652	652	730	925	
	K	532	550	550	620	870	
	W	650	650	650	772	1250	
	D	47	47	47	47	47	
	P	140	140	140	165	165	
Q	170	170	170	195	195		
Weight (approx.)(m)		420	500	500	720	900	
Traversing Rail		15 kg/m	15 kg/m	15 kg/m	15 kg/m	15 kg/m	

Note : Available lift height over 6meters.

※ 10t, 15t, 20t 사양은 영업부에 문의하십시오.



크립(미속) 호이스트

1. 작업능률을 향상시킵니다.

INCHING없이 정위치에 정확하게 운반물을 착상시킬 수 있으며, 운반물을 운반시에는 고속으로, 정밀한 작업시에는 미속으로 할 수 있으므로 운반물의 OVERRUN이 없으며 안전하고 고효율적입니다.

2. 안전작업이 약속됩니다.

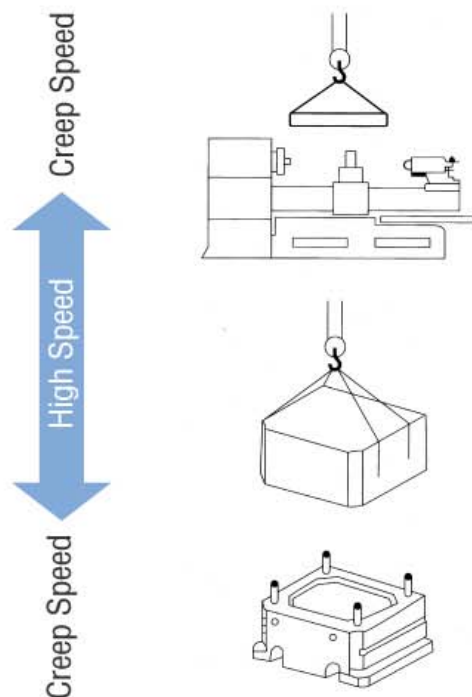
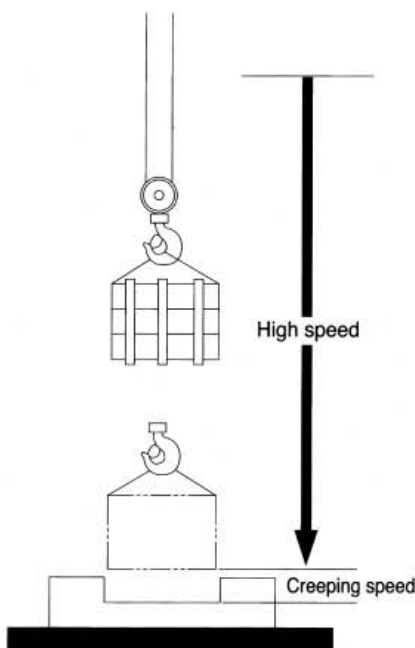
단거리 승강도 정속하게 확실하게 되므로 사고가 방지됩니다. 또한 고속 미속의 교환이 충격없이 부드럽게 변화됩니다. 2단 BUTTON SWITCH의 작동은 살짝 누르면 미속, 깊게 누르면 고속이 되므로 안전하고 간편합니다.

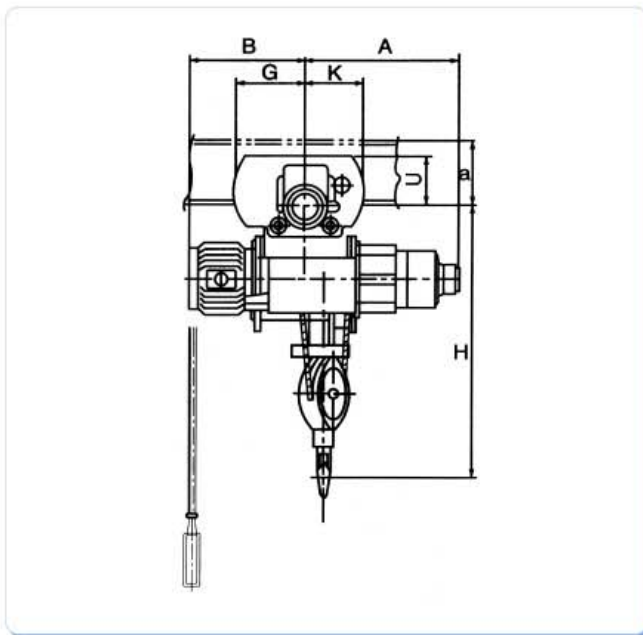
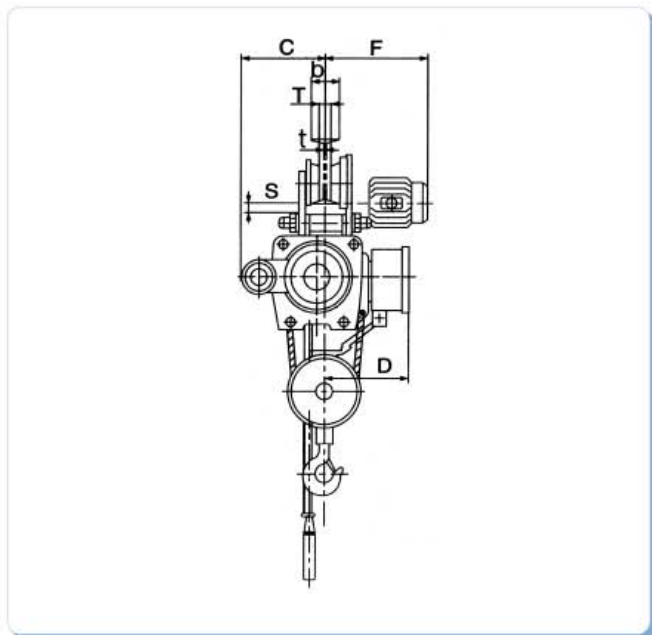
3. 운반물에 손상을 주지 않습니다.

정지희망위치를 지나치거나, 못 미치거나 충격으로 착상하는 일이 전혀 없으므로 정밀가공품이라도 손상시키는 일이 없습니다.

A Specific Character of Creep Hoist

- Create 1/10 Hoisting Speed Ratio.
- Working Efficiency
Speed is freely changed with push buttons at a high speed when large movement and creep speed when fine adjusting movement. The hoisted load is securely and efficiently stopped and unloaded.
- Safety Design
Two motors of creep speed and high speed are provided, The creep speed selected by 2nd level pushed button and the high speed by 1st level pushed button. Even if the load is hoisted for a short distance, it is stably and smoothly.
- Smooth Trolley Travel
Trolley is equipped with geared motor of slow-start and stop so that the trolley position is finely and smoothly adjusted.
- Durability and Economical Improvement
Since inching operation is unnecessary, there is no over-current, machine mechanism shock is softened and durability is increased. Thus, the hoist is the energy saving type which reduces denamd.
- Fine Work, Various Applications
 - Work removable to machine tool
 - Machine assembly
 - Die matching of injection machine
 - Die mounting, removing to press
 - Change of jigs and tools
 - Die transfer, matching and drawing works at casting shop



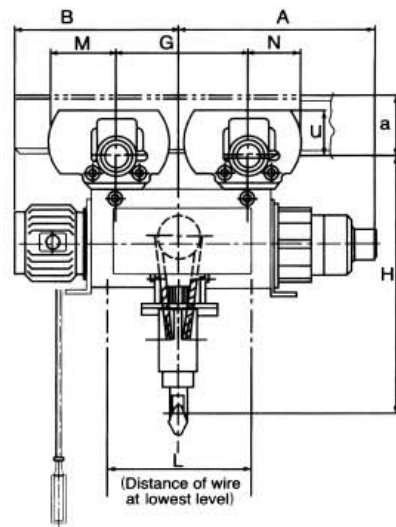
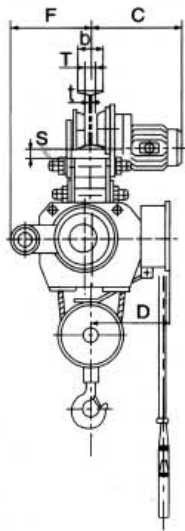


Model		BN 1-M	BN 2-M	BN 2.8-M	BN 3-M	BN 5-M																
Capacity(ton)		1	2	2.8	3	5																
Type	High Speed Traversing	C-BN 1-H6(12)-MH	C-BN 2-H6(12)-MH	C-BN 2.8-H6(12)-MH	C-BN 3-H6(12)-MH	C-BN 5-H6(12)-MH																
	Low Speed Traversing	C-BN 1-H6(12)-ML	C-BN 2-H6(12)-ML	C-BN 2.8-H6(12)-ML	C-BN 3-H6(12)-ML	C-BN 5-H6(12)-ML																
Hoist	Max. lift(m)		6(12)	6(12)	6(12)	6(12)																
	Hoisting Speed(m/min)	50(Hz)	10/1	8.4/0.84	7.5/0.75	7.5/0.75	4.7/0.47															
	High/Creep Speed	60(Hz)	12/1.2	10/1	9/0.9	9/0.9	5.6/0.56															
	Motor(kw x P)	High/Creep Speed	2.4/0.4 x 4	3.7/0.4 x 4	4.8/1.1 x 4	5.5/1.1 x 4	5.5/1 x 6															
	Wire Rope	Construction	6x37	6x37	6x37	6x37	6x37															
		Dia(mm) x No. of Ropes	8x2	10x2	12.5x2	12.5x2	16x2															
Brake		DC Magnet Disc Brake																				
Traversing	Traversing Speed (m/min)	High Speed	50(Hz)	20	20	20	20	20														
		Speed	60(Hz)	24	24	24	24	24														
		Low Speed	50(Hz)	13	13	13	13	13														
		Speed	60(Hz)	16	16	16	16	16														
	Traversing Motor (kw x P)	High Speed	0.4x4	0.75x4	0.75x4	0.75x4	0.75x4															
		Low Speed	0.2x6	0.5x6	0.5x6	0.5x6	0.5x6															
Dimensions (approx.) (mm)	H	815	980	1115	1115	1325																
	A	580(680)	620(720)	740(840)	740(840)	840(940)																
	B	380(480)	410(510)	440(540)	440(540)	500(585)																
	D	275	310	365	380	415																
	F	330	370	375	375	430																
	G	255	260	260	260	275																
	K	200	225	225	225	275																
I-Beam and Spacing (mm)	axbxt	C	S	T	U	C	S	T	U	C	S	T	U	C	S	T	U	C	S	T	U	
	200x100x7	395	38	46	144	-	-	-	-	-	-	-	-	-	-	-	-	-	-	-	-	-
	250x125x7.5	395	30	71	153	445	26	71	182	445	25	71	182	445	25	71	182	455	37	61	222	
	300x150x10	410	28	96	156	460	24	96	182	460	23	96	182	460	23	96	182	465	32	86	224	
	450x175x13	-	-	-	-	-	-	-	-	-	-	-	-	-	-	-	-	480	32	111	228	
Min. Radius of Curvature(m)		1.5		1.8		1.8		1.8		2.3												
Weight(approx.) (kg)		225(245)		320(355)		415(460)		415(460)		635(700)												

Note : 1. Dimensions of I-beam in Sections are standard ones. Other I-beam also can be used by changing spacers.
 2. If curved rail requires, this must be indicated in advance.



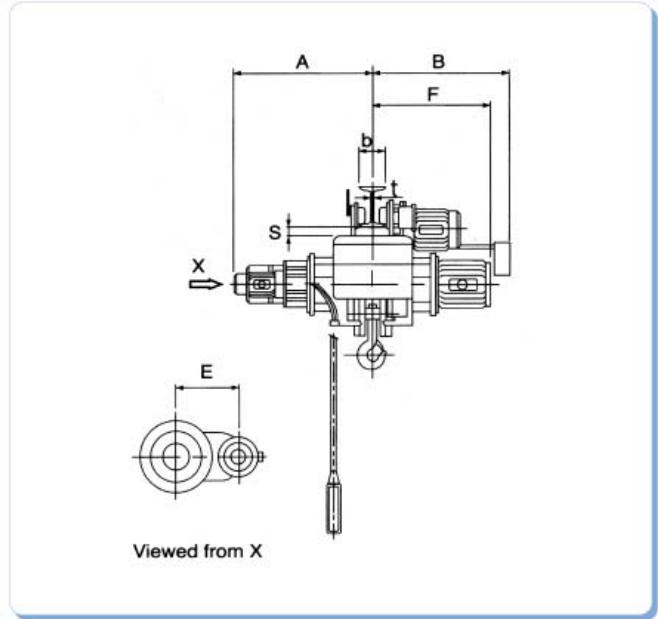
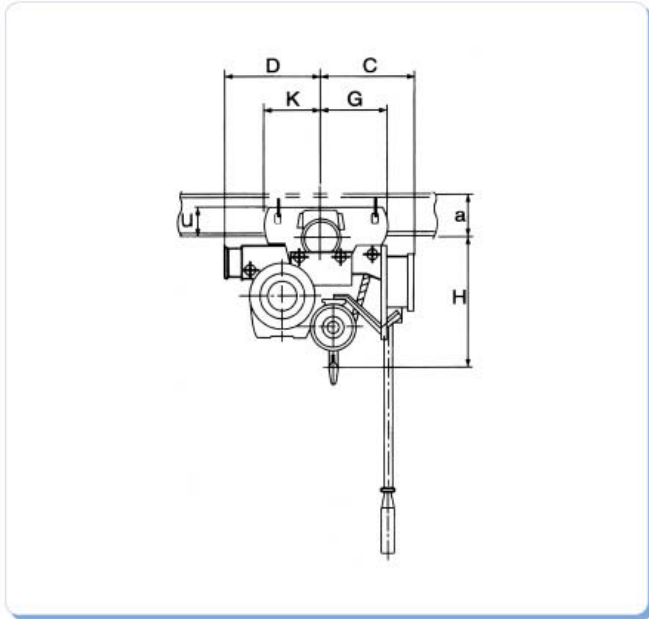
Regular Type Creep Hoist with Motor - Driven Trolley



Model		BN 7.5-M				BN 10-M				BN 15-M				BN 20-M					
Capacity(ton)		7.5				10				15				20					
Type	High Speed Traversing	C-BN 7.5-H12-MH				C-BN 10-H12-MH				C-BN 15-H12-MH				C-BN 20-H12-MH					
	Low Speed Traversing	C-BN 7.5-H12-ML				C-BN 10-H12-ML				C-BN 15-H12-ML				C-BN 20-H12-ML					
Hoist	Max. lift(m)	12				12				12				12					
	Hoisting Speed(m/min)	50(Hz)	3.1/0.31				3.7/0.37				3.7/0.37				3.5/0.35				
		60(Hz)	3.8/0.38				4.5/0.45				4.5/0.45				4.2/0.42				
	High/Creep Speed	3.8/0.38				4.5/0.45				4.5/0.45				4.2/0.42					
	Motor(kw x P)High/Creep Speed	5.5/1x6				9/1.1 x 8				13/1.8x8				17/1.8x8					
	Wire Rope	Construction	6x37				6x37				6x37				6x37				
		Dia(mm) x No. of Ropes	14x4				16x4				20x4				22.4x4				
Brake		DC Magnet Disc Brake																	
Traversing	Traversing Speed (m/min)	High Speed	50(Hz)	12.5				12.5				12.5				12.5			
			60(Hz)	15				15				15				15			
		Low Speed	50(Hz)	8.3				8.3				8.3				8.3			
			60(Hz)	10				10				10				10			
	Traversing Motor (kw x P)	High Speed	0.75x4				0.75x4(2units)				0.75x4(2units)				0.75x4(2units)				
	Low Speed	0.5x6				0.5x6(2units)				1x6(2units)				1x6(2units)					
Dimensions(approx.) (mm)		H	1460				1565				1875				2115				
		A	1170				1230				1365				1460				
		B	835				955				1005				1220				
		D	480				510				620				640				
		F	465				525				575				621				
		L	850				850				870				935				
		G	800				800				800				850				
		M	276				276				300				300				
I-Beam and Spacing (mm)		a x b x c	C	S	T	U	C	S	T	U	C	S	T	U	C	S	T	U	
		300x150x10	500	35	68	224	475	35	68	224	-	-	-	-	-	-	-	-	-
		450x175x10	510	30	93	228	490	30	93	228	580	32	77	248	580	32	77	248	248
		600x190x13	520	32	118	227	495	32	118	227	587	37	92	243	587	37	92	243	243
Min. Radius of Curvature(m)		For straight rails only																	
Weight(approx.) (kg)		970				1280				2180				2520					

Note : 1. Dimensions of I-beam in Sections are standard ones.

2. If curved rail requires, this must be indicated in advance. Other I-beam also can be used by changing spacers.



Model		BL 1-M	BL 2-M	BL 2.8-M	BL 3-M	BL 5-M
Capacity(ton)		1	2	2.8	3	5
Type	High Speed Traversing	C-BL 1-H6-MH	C-BL 2-H6-MH	C-BL 2.8-H6-MH	C-BL 3-H6-MH	C-BL 5-H6-MH
	Low Speed Traversing	C-BL 1-H6-ML	C-BL 2-H6-ML	C-BL 2.8-H6-ML	C-BL 3-H6-ML	C-BL 5-H6-ML
Max. lift(m)		6	6	6	6	6
Hoisting Speed(m/min)		10/4	8.4/0.84	7.5/0.75	7.5/0.75	4.7/0.47